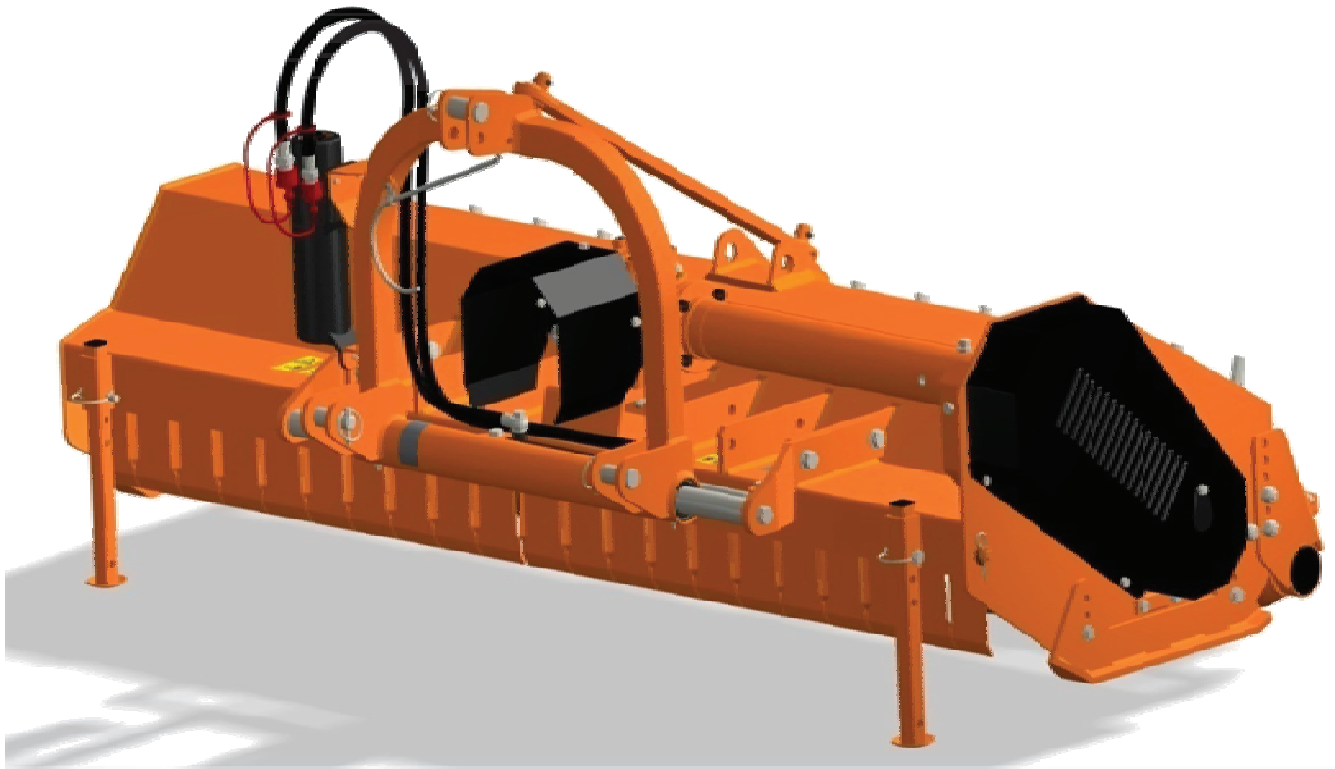


**SHREDDER  
SFM SERIES**



**PART'S MANUAL**

**Tirth Agro Technology Pvt. Ltd.  
ISO 9001:2015 & CE Certified Company**



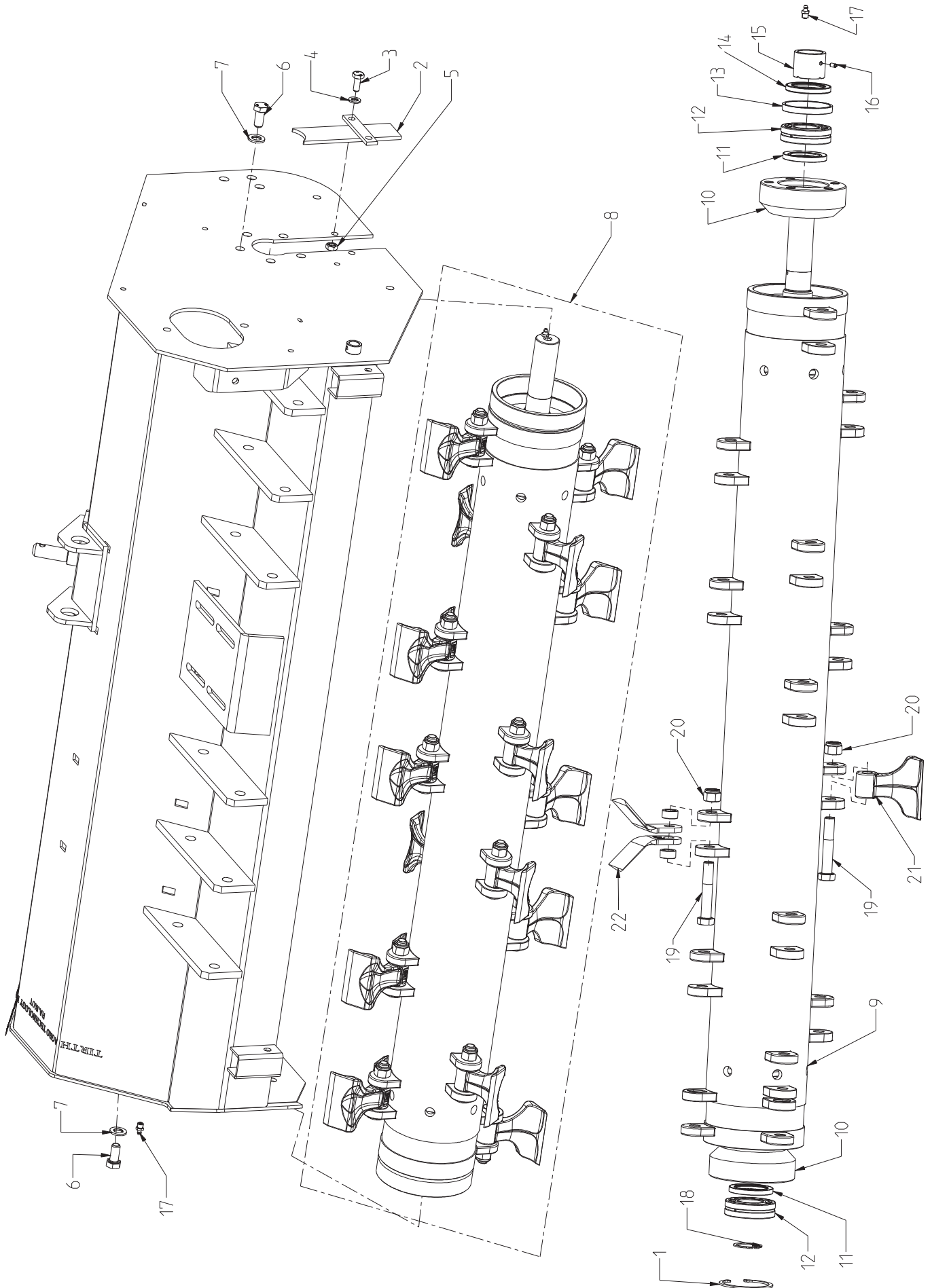
**PM2211-21EN-003\_JUL\_19**



# INDEX

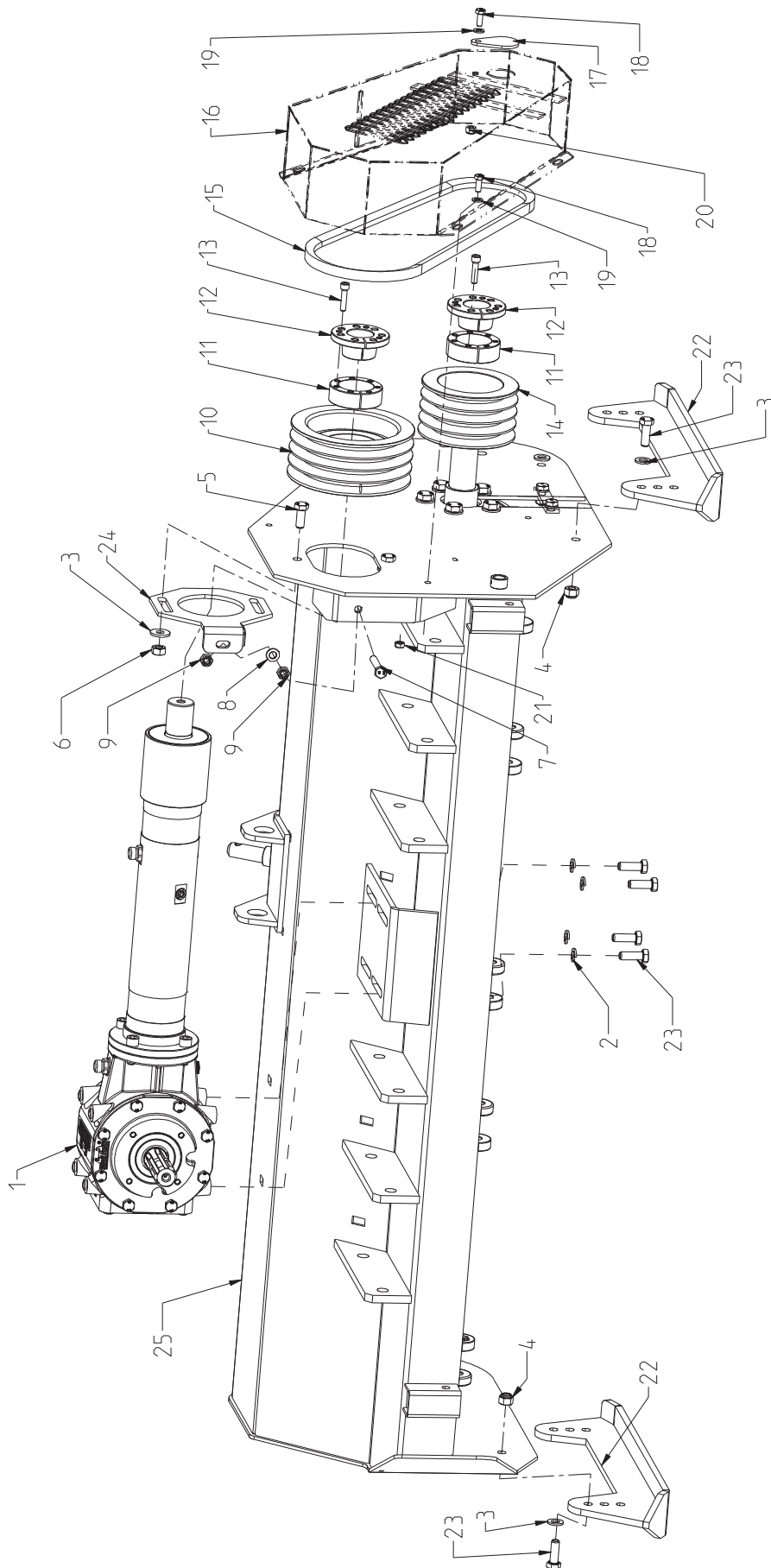
Page No.	Description	Revision Date
1.1	MAIN FRAME & ROTOR ASSEMBLY PARTS	PM2211-21EN-003_REV_000_JUL_19
1.2	MAIN FRAME & ROTOR ASSEMBLY PARTS	PM2211-21EN-003_REV_000_JUL_19
2.1	TRANSMISSION AND SKID PARTS	PM2211-21EN-003_REV_000_JUL_19
2.2	TRANSMISSION AND SKID PARTS	PM2211-21EN-003_REV_000_JUL_19
3.1	GEAR BOX ASSEMBLY PARTS	PM2211-21EN-003_REV_000_JUL_19
3.2	GEAR BOX ASSEMBLY PARTS	PM2211-21EN-003_REV_000_JUL_19
4.1	3 POINT MAST SIDE SHIFT ASSEMBLY- PARTS	PM2211-21EN-003_REV_000_JUL_19
4.2	3 POINT MAST SIDE SHIFT ASSEMBLY- PARTS	PM2211-21EN-003_REV_000_JUL_19
5.1	3 POINT MAST ASSEMBLY (SIDE SHIFT & FIX TYPE)	PM2211-21EN-003_REV_000_JUL_19
5.2	3 POINT MAST ASSEMBLY (SIDE SHIFT & FIX TYPE)	PM2211-21EN-003_REV_000_JUL_19
6.1	SHIELD, FRONT PLATES, PARKING STAND	PM2211-21EN-003_REV_000_JUL_19
6.2	SHIELD, FRONT PLATES, PARKING STAND	PM2211-21EN-003_REV_000_JUL_19
7.1	KIT - REAR COVER STANDARD	PM2211-21EN-003_REV_000_JUL_19
7.2	KIT - REAR COVER STANDARD	PM2211-21EN-003_REV_000_JUL_19
8.1	KIT - REAR ROLLER	PM2211-21EN-003_REV_000_JUL_19
8.2	KIT - REAR ROLLER	PM2211-21EN-003_REV_000_JUL_19
9.1	KIT - REAR COVER WITH RACKS	PM2211-21EN-003_REV_000_JUL_19
9.2	KIT - REAR COVER WITH RACKS	PM2211-21EN-003_REV_000_JUL_19

# MAIN FRAME & ROTOR ASSEMBLY PARTS



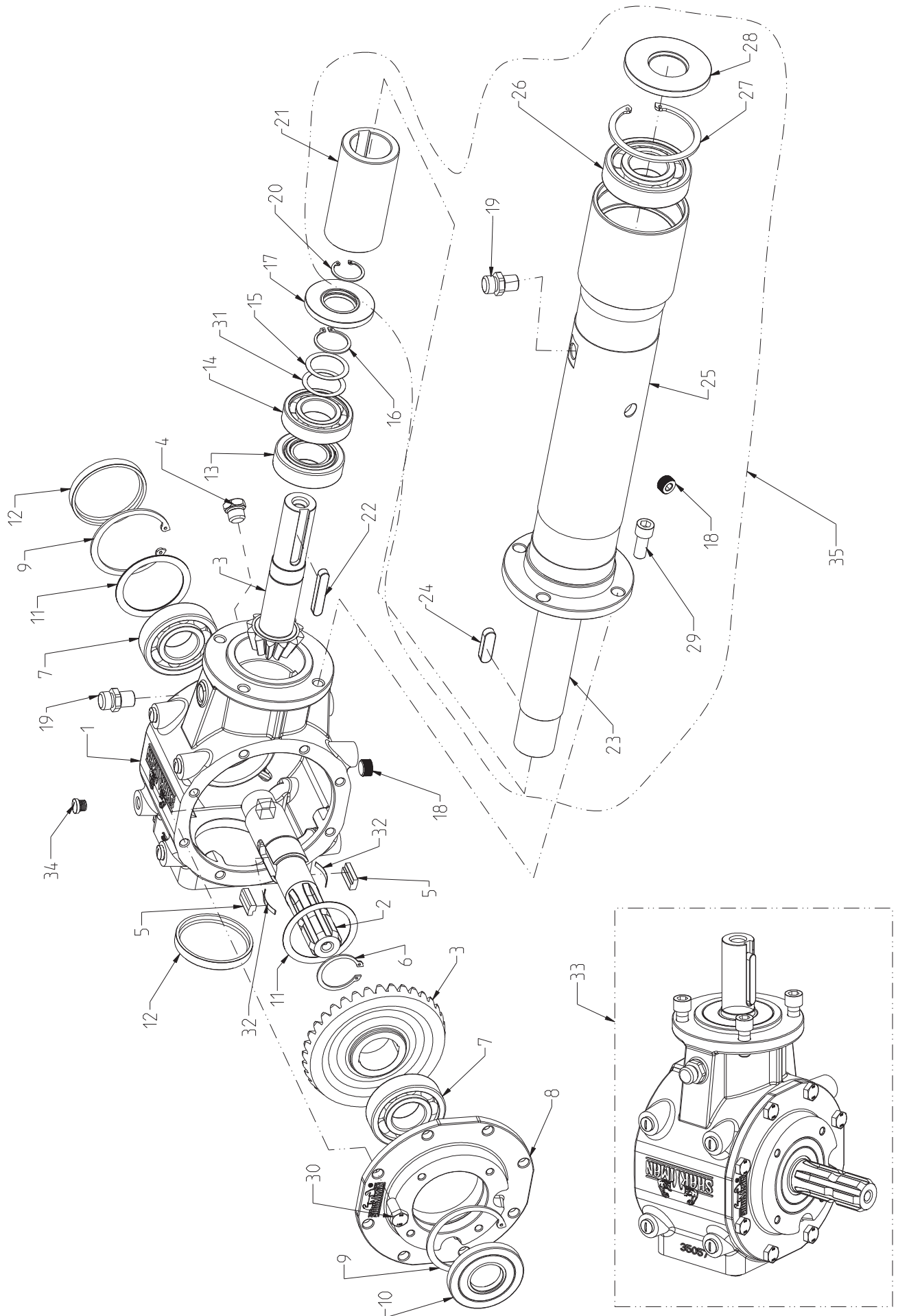
MAIN FRAME & ROTOR ASSEMBLY PARTS			
Sr No.	Part no	Description	Qty.
1	1130	CIRCLIP INTERNAL 80MM	1
2	17142	CLOSING PLATE, WELDMENT (SFM)	1
3	17270	HEX BOLT M10X1.50X25(DIN933)(8.8)(ZP)	As per Req.
4	8078	PLAIN WASHER 10MM (BS-4320)	As per Req.
5	17272	HEX NUT M10X1.50(DIN 934)(8)(ZP)	As per Req.
6	17280	HEX BOLT M14X2.00X30(DIN933)(8.8)(ZP)	As per Req.
7	1272	PLAIN WASHER 14MM (BS-4320)	As per Req.
8	17402	ROTOR ASSEMBLY 0.85M (Y- BLADE)(SFM)	1
	17401	ROTOR ASSEMBLY 1.00M (Y- BLADE)(SFM)	
	17400	ROTOR ASSEMBLY 1.15M (Y- BLADE)(SFM)	
	17399	ROTOR ASSEMBLY 1.30M (Y- BLADE)(SFM)	
	17247	ROTOR ASSEMBLY 1.45M (Y-BLADE) (SFM)	
	17248	ROTOR ASSEMBLY 1.60M (Y-BLADE) (SFM)	
	17249	ROTOR ASSEMBLY 1.75M (Y-BLADE) (SFM)	
	17250	ROTOR ASSEMBLY 2.05M (Y-BLADE) (SFM)	
	17251	ROTOR ASSEMBLY 2.20M (Y-BLADE) (SFM)	
	17386	ROTOR ASSEMBLY 0.85M (HAMMER BLADE)(SFM)	
	17342	ROTOR ASSEMBLY 1.00M (HAMMER BLADE)(SFM)	
	17341	ROTOR ASSEMBLY 1.15M (HAMMER BLADE)(SFM)	
	17340	ROTOR ASSEMBLY 1.30M (HAMMER BLADE)(SFM)	
	17252	ROTOR ASSEMBLY 1.45M (HAMMER BLADE)(SFM)	
	17253	ROTOR ASSEMBLY 1.60M (HAMMER BLADE)(SFM)	
	17254	ROTOR ASSEMBLY 1.75M (HAMMER BLADE)(SFM)	
17255	ROTOR ASSEMBLY 2.05M (HAMMER BLADE)(SFM)		
17256	ROTOR ASSEMBLY 2.20M (HAMMER BLADE)(SFM)		
9	17385	ROTOR WELDMENT WITH EXTENSION, 85 (SFM)	1
	17339	ROTOR WELDMENT WITH EXTENSION, 100 (SFM)	
	17338	ROTOR WELDMENT WITH EXTENSION, 115 (SFM)	
	17337	ROTOR WELDMENT WITH EXTENSION, 130 (SFM)	
	17681	ROTOR WELDMENT WITH EXTENSION, 145 (SFM)	
	17682	ROTOR WELDMENT WITH EXTENSION, 160 (SFM)	
	17683	ROTOR WELDMENT WITH EXTENSION, 175 (SFM)	
	17684	ROTOR WELDMENT WITH EXTENSION, 205 (SFM)	
17685	ROTOR WELDMENT WITH EXTENSION, 220 (SFM)		
10	17149	ROTOR HUB, TRANSMISSION SIDE (SFM)	2
11	17150	OIL SEAL 47 X 70 X 8	2
12	17151	BEARING 22208 (SKF)	2
13	17152	RING, ROTARY SEAL	1
14	17153	OIL SEAL 50 X 72 X 8	1
15	17154	SPACER, DRIVEN PULLEY (SFM)	1
16	12090	GRUB SCREW M6 X 1 X 10	As per Req.
17	20272	GREASE NIPPLE M10 X 1.50(STRAIGHT)	2
18	8027	CIRCLIP EXTERNAL 40MM	1
19	17279	HEX BOLT M16X2.00X90(IS1364-1)(10.9)(ZP)	As per Req.
20	1231	NYLOCK NUT M16X2.0 (DIN-982)	As per Req.
21	17398	SET OF HAMMER BLADE(0.860), 0.85M (SFM)	1
	17383	SET OF HAMMER BLADE(0.860), 1.00M (SFM)	
	17382	SET OF HAMMER BLADE(0.860), 1.15M (SFM)	
	17381	SET OF HAMMER BLADE(0.860), 1.30M (SFM)	
	17309	SET OF HAMMER BLADE(0.860), 1.45M (SFM)	
	17310	SET OF HAMMER BLADE(0.860), 1.60M (SFM)	
	17311	SET OF HAMMER BLADE(0.860), 1.75M (SFM)	
	17312	SET OF HAMMER BLADE(0.860), 2.05M (SFM)	
17313	SET OF HAMMER BLADE(0.860), 2.20M (SFM)		
22	17409	SET OF Y BLADE FOR 0.85M (SFM)	1
	17408	SET OF Y BLADE FOR 1.00M (SFM)	
	17407	SET OF Y BLADE FOR 1.15M (SFM)	
	17406	SET OF Y BLADE FOR 1.30M (SFM)	
	17412	SET OF Y BLADE FOR 1.45M (SFM)	
	17413	SET OF Y BLADE FOR 1.60M (SFM)	
	17414	SET OF Y BLADE FOR 1.75M (SFM)	
	17415	SET OF Y BLADE FOR 2.05M (SFM)	
17416	SET OF Y BLADE FOR 2.20M (SFM)		

# TRANSMISSION AND SKID PARTS



TRANSMISSION AND SKID PARTS			
Sr No.	Part no	Description	Qty.
1	17395	GEAR BOX ASS. (270MM) 540 RPM (SFM-085)-NEW	1
	17374	GEAR BOX ASS. (345MM) 540 RPM (SFM-100)-NEW	
	17373	GEAR BOX ASS. (420MM) 540 RPM (SFM-115)-NEW	
	17371	GEAR BOX ASS. (445MM) 540 RPM (SFM-130)-NEW	
	17370	GEAR BOX ASS. (470MM) 540 RPM (SFM-145)-NEW	
	17372	GEAR BOX ASS. (495MM) 540 RPM (SFM-160)-NEW	
	17369	GEAR BOX ASS. (545MM) 540 RPM (SFM-175)-NEW	
	17368	GEAR BOX ASS. (695MM) 540 RPM (SFM-205)-NEW	
	17367	GEAR BOX ASS. (770MM) 540 RPM (SFM-220)-NEW	
2	14362	SPRING WASHER M12.00(IS 3063)(ZP)	As per Req.
3	17269	PLAIN WASHER 30 X 12 X 3	As per Req.
4	1209	NYLOCK NUT M12X1.75 (DIN-982)	As per Req.
5	17275	HEX BOLT M12X1.75X30(DIN933)(8.8)(ZP)	As per Req.
6	17273	HEX NUT M12X1.75(DIN 934)(8)(ZP)	As per Req.
7	17281	HEX BOLT M10X1.50X60(DIN933)(8.8)(ZP)	As per Req.
8	8078	PLAIN WASHER 10MM (BS-4320)	As per Req.
9	17272	HEX NUT M10X1.50(DIN 934)(8)(ZP)	As per Req.
10	17161	SPB TYPE PULLEY PCD=180, 4 GROOVE (SFM)	1
	17405	SPB TYPE PULLEY PCD=180, 3 GROOVE (SFM)	
11	17037	CLAMP OUTER (SRM)	2
12	17036	CLAMP INNER (SRM)	2
13	17035	ALLEN BOLT M8 X 1.25 X 35 (FT)(12.9)	As per Req.
14	17162	SPB TYPE PULLEY PCD=140, 4 GROOVE (SFM)	1
	17404	SPB TYPE PULLEY PCD=140, 3 GROOVE (SFM)	
15	17698	SET OF V BELT BX47 (CONTITECH)(4 NOS)	1
	17699	SET OF V BELT BX47 (CONTITECH)(3 NOS)	
16	17164	GUARD, BELT TRASMISSION (SFM)	1
	17403	GUARD, BELT TRASMISSION 3-GROOVE (SFM)	
17	17165	PLATE, PROTECTION GREASE ZERK (SFM)	1
18	8040	HEX BOLT M8X1.25X20(IS1364-2)(8.8)(ZP)	As per Req.
19	8064	PLAIN WASHER 8MM (BS-4320)	As per Req.
20	1297	NYLOCK NUT M8X1.25 (DIN-982)	As per Req.
21	8181	HEX NUT M8X1.25(IS 1363)(8)(ZP)	As per Req.
22	35063	SKID WELDMENT NEW (SFM)	2
23	17274	HEX BOLT M12X1.75X35(DIN933)(8.8)(ZP)	As per Req.
24	17300	PLATE WELDMENT, BELT TENSIONING (SFM)	1
25	17384	FRAME WELDMENT, FLAIL MOWER - 85 (SFM)	1
	17336	FRAME WELDMENT, FLAIL MOWER 100 (SFM)	
	17335	FRAME WELDMENT, FLAIL MOWER 115 (SFM)	
	17334	FRAME WELDMENT, FLAIL MOWER 130 (SFM)	
	17137	FRAME WELDMENT, FLAIL MOWER 145 (SFM)	
	17138	FRAME WELDMENT, FLAIL MOWER 160 (SFM)	
	17139	FRAME WELDMENT, FLAIL MOWER 175 (SFM)	
	17140	FRAME WELDMENT, FLAIL MOWER 205 (SFM)	
	17141	FRAME WELDMENT, FLAIL MOWER 220 (SFM)	

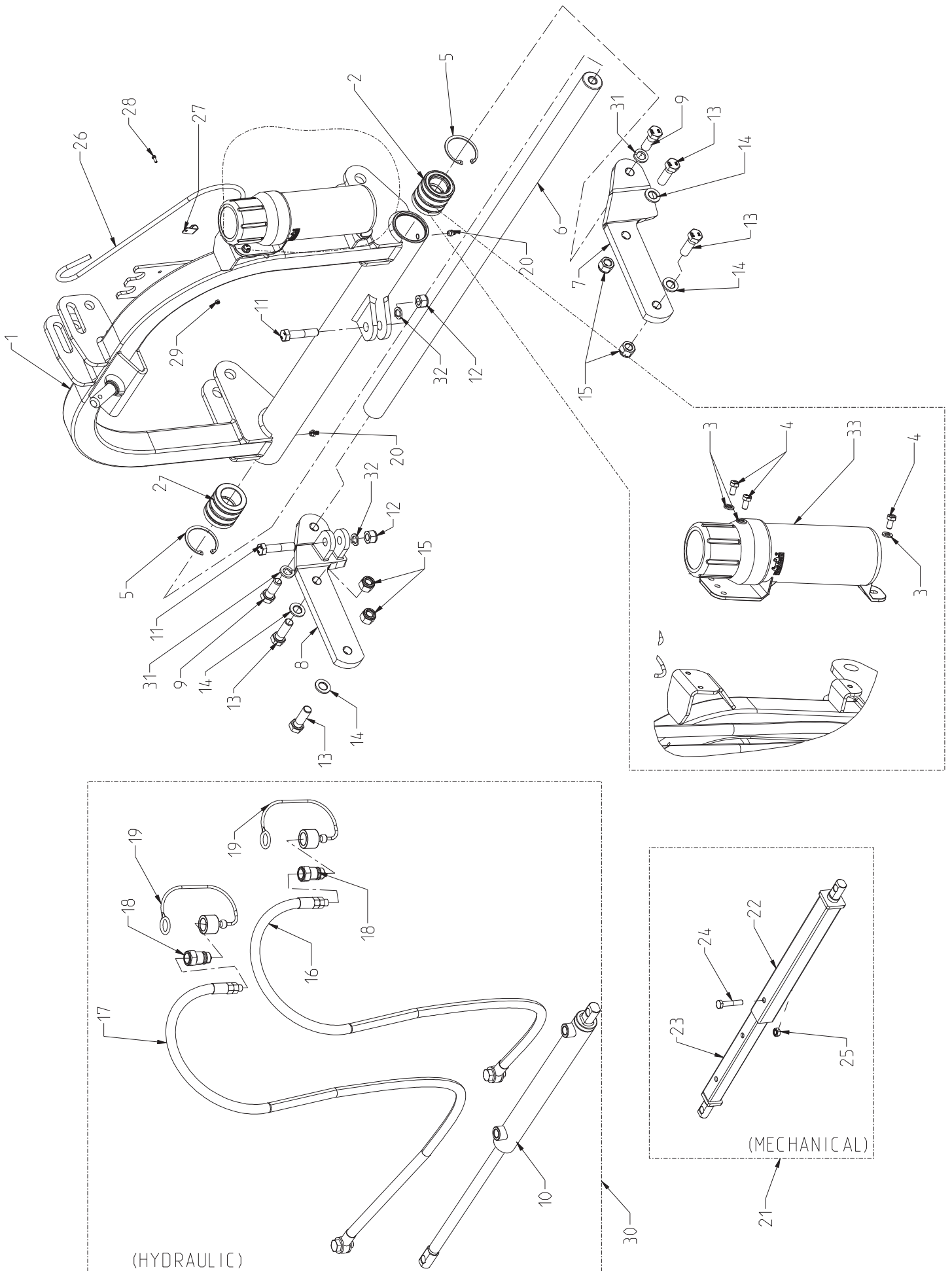
# GEAR BOX ASSEMBLY PARTS





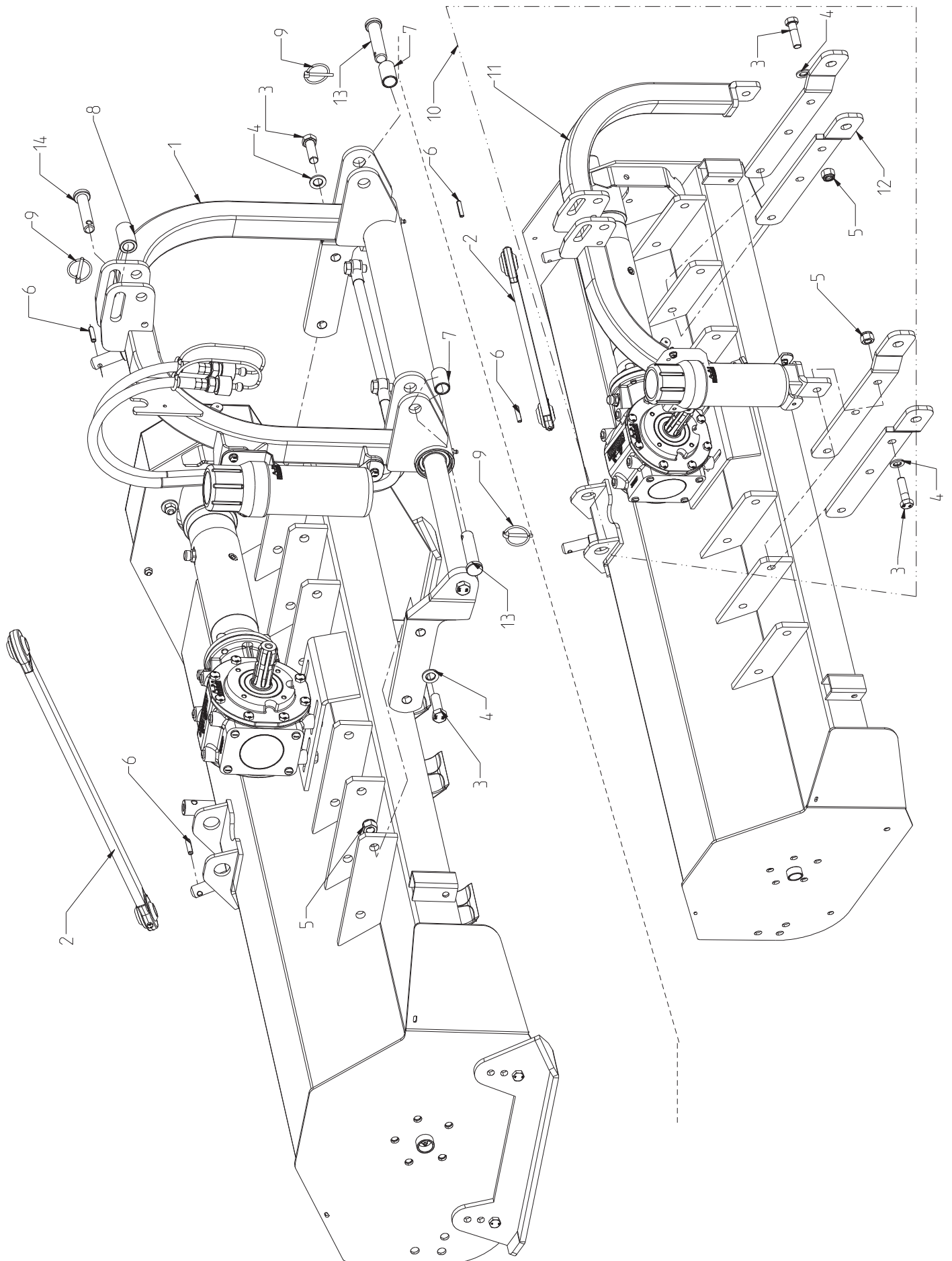
GEAR BOX ASSEMBLY PARTS			
Sr No.	Part no	Description	Qty.
1	17001	GEAR BOX 540 RPM (SRM) 50HP	1
2	17244	INPUT SHAFT - FREE WHEEL	1
3	35032	CROWN T36, PINION T12 PAIR M-4.35 (BMF)	1
4	3419	3/8 BSP BOLT WITH O-RING	1
5	17230	GEAR BOX RATCHET 28MM(NEW)	2
6	1044	CIRCLIP EXTERNAL 42MM	1
7	1131	BEARING 6307	2
8	35058	GEAR BOX FLANGE 540 RPM 50HP-NEW (SRM)	1
9	1130	CIRCLIP INTERNAL 80MM	2
10	17329	OIL SEAL 35 X 80 X 10 (NEW)	1
11	17167	SHIMS (DIA 80 X 65)(0.50MM)	4
12	17633	OIL SEAL 80 X 10 (NEW)	2
13	17054	BEARING 32207B	1
14	10143	BEARING 6207	1
15	1424	SHIMS (DIA 44.5 X 35.7)(0.50MM)	2
16	6024	CIRCLIP EXTERNAL 35MM	1
17	14309	OIL SEAL 35 X 72 X 8 (SPECIAL)	1
18	17258	CONICAL SPECIAL HEAD BOLT 3/8" BSP	2
19	14311	AIR BREATHER 3/8" BSP (1GTSSR210)	2
20	17083	CIRCLIP INTERNAL 32MM	1
21	17025	SHAFT CONNECTOR (SRM)	1
22	11077	PARALLEL KEY 10 X 8 X 56	1
23	17393	JACK SHAFT 260MM (SFM-085)	1
	17363	JACK SHAFT 335MM (SFM-100)	
	17362	JACK SHAFT 410MM (SFM-115)	
	17170	JACK SHAFT 445MM (SFM-130)	
	17171	JACK SHAFT 470MM (SFM-145)	
	17361	JACK SHAFT 485MM (SFM-160)	
	17172	JACK SHAFT 545MM (SFM-175)	
	17173	JACK SHAFT 695MM (SFM-205)	
17174	JACK SHAFT 770MM (SFM-220)		
24	11076	PARALLEL KEY 12 X 8 X 40	1
25	17394	JACK SHAFT HOUSING COMP 270MM (SFM-085)	1
	17366	JACK SHAFT HOUSING COMP 345MM (SFM-100)	
	17365	JACK SHAFT HOUSING COMP 420MM (SFM-115)	
	17328	JACK SHAFT HOUSING COMP 445MM (SFM-130)(NEW)	
	17327	JACK SHAFT HOUSING COMP 470MM (SFM-145)(NEW)	
	17364	JACK SHAFT HOUSING COMP 495MM (SFM-160)	
	17326	JACK SHAFT HOUSING COMP 545MM (SFM-175)(NEW)	
	17325	JACK SHAFT HOUSING COMP 695MM (SFM-205)(NEW)	
17324	JACK SHAFT HOUSING COMP 770MM (SFM-220)(NEW)		
26	8036	BEARING 6308	1
27	3027	CIRCLIP INTERNAL 90MM	1
28	17026	OIL SEAL 90 X 40 X 8 (NEW)	1
29	14367	ALLEN BOLT M12X1.75X30-FT12.9DIN912-ZINC	As per Req.
30	17270	HEX BOLT M10X1.50X25(DIN933)(8.8)(ZP)	As per Req.
31	1425	SHIMS (DIA 45 X 35)(1.00MM)	1
32	17076	LEAF SPRING (SRM)	2
33	17677	GEAR BOX ASSEMBLY 50HP (SRM)	1
34	17675	PLASTIC CAP M12 X 1.75	8
35	17786	JACK SHAFT - HOUSING ASS 260MM (SFM-085)	1
	17785	JACK SHAFT - HOUSING ASS 335MM (SFM-100)	
	17784	JACK SHAFT - HOUSING ASS 410MM (SFM-115)	
	17783	JACK SHAFT - HOUSING ASS 445MM (SFM-130)	
	17782	JACK SHAFT - HOUSING ASS 470MM (SFM-145)	
	17781	JACK SHAFT - HOUSING ASS 485MM (SFM-160)	
	17780	JACK SHAFT - HOUSING ASS 545MM (SFM-175)	
	17779	JACK SHAFT - HOUSING ASS 695MM (SFM-205)	
17778	JACK SHAFT - HOUSING ASS 770MM (SFM-220)		

# 3 POINT MAST SIDE SHIFT ASSEMBLY- PARTS



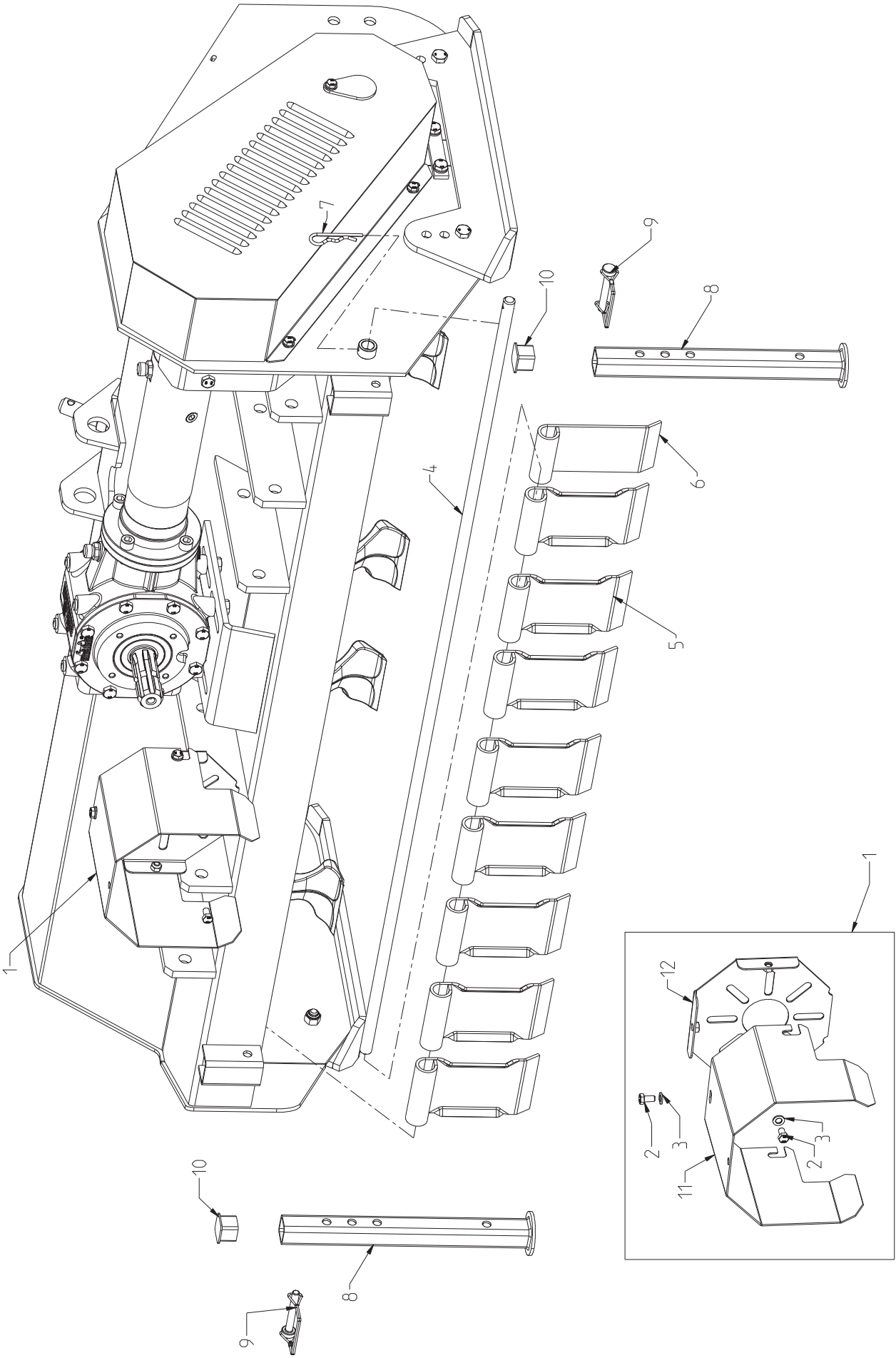
<b>3 POINT MAST SIDE SHIFT ASSEMBLY- PARTS</b>			
<b>Sr No.</b>	<b>Part no</b>	<b>Description</b>	<b>Qty.</b>
1	17180	MAST WELDMENT, HYDRAULIC (SFM)	1
2	17664	NYLON BUSH ASSEMBLY (40 X 62.5) (SFM)	2
3	8064	PLAIN WASHER 8MM (BS-4320)	As per Req.
4	8190	HEX BOLT M8X1.25X15(IS1364-2)(8.8)(ZP)	As per Req.
5	8120	CIRCLIP INTERNAL 62mm	2
6	17183	GUIDE BAR (L=1080MM) (SFM)	1
7	17184	BRACKET, LH (SFM)	1
8	17185	BRACKET WELDMENT (SFM)	1
9	7039	HEX BOLT M16X1.50X50(IS1364-1)(10.9)(ZP)	As per Req.
10	17578	HYDRAULIC JACK (STROKE-300) NEW	1
11	17417	HEX BOLT M14X1.50X65(DIN931)(8.8)(ZP)	As per Req.
12	1302	NYLOCK NUT M14X1.50 (DIN-982)	As per Req.
13	18446	HEX BOLT M16X2.00X55(IS1364-1)(8.8)(ZP)	As per Req.
14	1078	PLAIN WASHER 16MM (BS-4320)	As per Req.
15	1231	NYLOCK NUT M16X2.0 (DIN-982)	As per Req.
16	17188	HYD PIPE 3/8R1 3/8BANJO,1/2 BSPM,L2.0M-G	1
17	17189	HYD PIPE 3/8R1 3/8BANJO,1/2 BSPM,L2.4M-G	1
18	8290	QUICK COUPLING 1/2" MALE	2
19	18269	QRC PLASTIC CAP (1/2 BSP) FEMALE	2
20	20148	GREASE NIPPLE M8 X 1.25	2
21	17266	MANUAL JACK ASSEMBLY (SFM)	1
22	17264	OUTER PIPE MANUAL JACK COMP (SFM)	1
23	17265	INNER PIPE MANUAL JACK COMP (SFM)	1
24	17301	HEX BOLT M10X1.50X55(DIN931)(8.8)(ZP)	As per Req.
25	17272	HEX NUT M10X1.50(DIN 934)(8)(ZP)	As per Req.
26	14341	DRIVELINE HOOK 320MM	1
27	23147	PLATE,HOOK HOLDING (JUMBO)	1
28	35098	HEX BOLT M4X0.75X15(IS1364-2)(8.8)(ZP)	As per Req.
29	24529	NYLOCK NUT M4 X 0.75 - SCH	As per Req.
30	17268	HYDRAULIC PARTS ASSEMBLY (SFM)	1
31	14364	SPRING WASHER M16.00(IS 3063)(ZP)	As per Req.
32	14363	SPRING WASHER M14.00(IS 3063)(ZP)	As per Req.
33	26030	MANUAL BOX COVER 1/2(SMMSD)	1

# 3 POINT MAST ASSEMBLY (SIDE SHIFT & FIX TYPE)



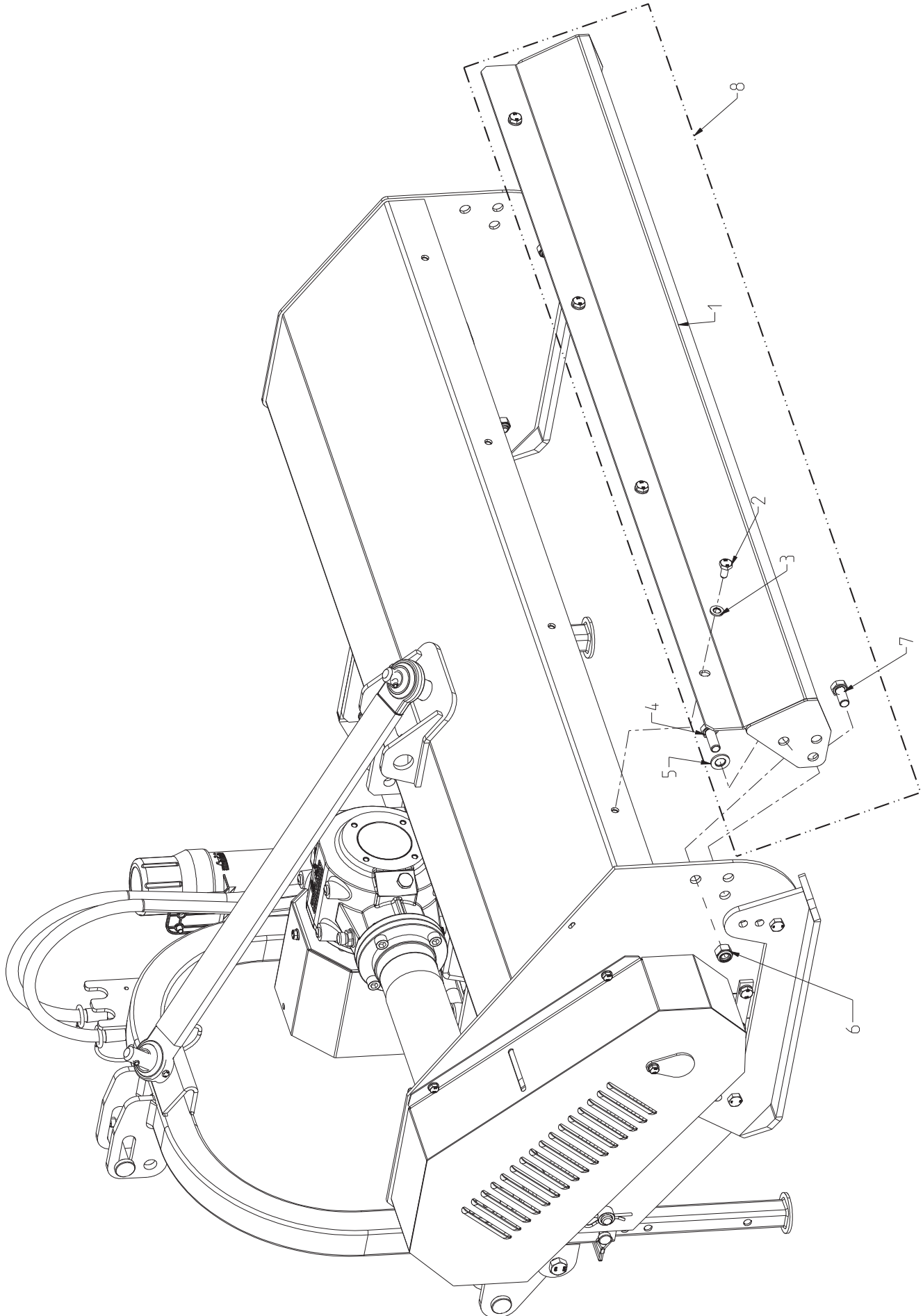
<b>3 POINT MAST ASSEMBLY (SIDE SHIFT &amp; FIX TYPE)</b>			
<b>Sr No.</b>	<b>Part no</b>	<b>Description</b>	<b>Qty.</b>
1	17233	TOP MAST ASSEMBLY-HYDRAULIC (SFM)	1
2	17190	TIE-ROD WITH BALL-JOINTS (SFM)	1
3	18446	HEX BOLT M16X2.00X55(IS1364-1)(8.8)(ZP)	As per Req.
4	1078	PLAIN WASHER 16MM (BS-4320)	As per Req.
5	1231	NYLOCK NUT M16X2.0 (DIN-982)	As per Req.
6	17191	DOWEL PIN DIA 8 X 36	2
7	15069	LOWER LINK PIN BUSH (SFB)	2
8	14086	BUSH (DIA. 19.4 X 25.4 X 52 L)	1
9	8204	LINCH PIN SMALL (CHO)	3
10	17260	TOP MAST ASSEMBLY-FIX TYPE (SFM)	1
11	17234	MAST WELDMENT, FIXED TYPE (SFM)	1
12	17235	BRACKET-LOWER 3RD POINT ATTACHMENT (SFM)	4
13	14015	HITCH PIN BOTTOM CAT-I (DIA-22 X 99)	2
14	14037	HINCH PIN TOP CAT-I (DIA- 19 X 98)	1

# SHIELD, FRONT PLATES, PARKING STAND



SHIELD, FRONT PLATES, PARKING STAND				
Sr No.	Part no	Description	Qty.	
1	17968	PTO SHAFT GUARD ASS SMALL (BMF)	1	
2	8190	HEX BOLT M8X1.25X15(IS1364-2)(8.8)(ZP)	As per Req.	
3	8064	PLAIN WASHER 8MM (BS-4320)	As per Req.	
4	17387	ROD, FRONT PLATES, 85 (SFM)	1	
		17360		ROD, FRONT PLATES, 100 (SFM)
		17359		ROD, FRONT PLATES, 115 (SFM)
		17358		ROD, FRONT PLATES, 130 (SFM)
		17192		ROD, FRONT PLATES, 145 (SFM)
		17193		ROD, FRONT PLATES, 160 (SFM)
		17194		ROD, FRONT PLATES, 175 (SFM)
		17195		ROD, FRONT PLATES, 205 (SFM)
5	17197	ROD, FRONT PLATES, 220 (SFM)	8	
		FRONT PLATE, L=100 (SFM)(SFM-085)		
		FRONT PLATE, L=100 (SFM)(SFM-100)		
		FRONT PLATE, L=100 (SFM)(SFM-115)		
		FRONT PLATE, L=100 (SFM)(SFM-130)		
		FRONT PLATE, L=100 (SFM)(SFM-145)		
		FRONT PLATE, L=100 (SFM)(SFM-160)		
		FRONT PLATE, L=100 (SFM)(SFM-175)		
		FRONT PLATE, L=100 (SFM)(SFM-205)		
FRONT PLATE, L=100 (SFM)(SFM-220)				
6	17198	FRONT PLATE, L=100 (SFM)(SFM-220)	10	
		FRONT PLATE, L=85 (SFM-085)		
		FRONT PLATE, L=85 (SFM-100)		
		FRONT PLATE, L=85 (SFM-115)		
		FRONT PLATE, L=85 (SFM-130)		
		FRONT PLATE, L=85 (SFM-145)		
		FRONT PLATE, L=85 (SFM-160)		
		FRONT PLATE, L=85 (SFM-175)		
		FRONT PLATE, L=85 (SFM-205)		
FRONT PLATE, L=85 (SFM-220)				
7	15055	R-CLIP WIRE DIA 4.00MM	As per Req.	
8	35118	M/C STAND PIPE COMP (SFM-085)(SFM-085)	2	
		M/C STAND PIPE COMP (SFM-100)(SFM-100)		
		M/C STAND PIPE COMP (SFM-115)(SFM-115)		
		M/C STAND PIPE COMP (SFM-130)(SFM-130)		
		M/C STAND PIPE COMP (SFM-145)(SFM-145)		
		M/C STAND PIPE COMP (SFM-160)(SFM-160)		
		M/C STAND PIPE COMP (SFM-175)(SFM-175)		
		M/C STAND PIPE COMP (SFM-205)(SFM-205)		
		M/C STAND PIPE COMP (SFM-220)(SFM-220)		
9	14267	SQ. SNAPPER PIN D10 X L70(SFM-085)	2	
		SQ. SNAPPER PIN D10 X L70(SFM-100)		
		SQ. SNAPPER PIN D10 X L70(SFM-115)		
		SQ. SNAPPER PIN D10 X L70(SFM-130)		
		SQ. SNAPPER PIN D10 X L70(SFM-145)		
		SQ. SNAPPER PIN D10 X L70(SFM-160)		
		SQ. SNAPPER PIN D10 X L70(SFM-175)		
		SQ. SNAPPER PIN D10 X L70(SFM-205)		
		SQ. SNAPPER PIN D10 X L70(SFM-220)		
10	14266	SQ. PIPE PLASTIC CAP 32MM(SFM-085)	2	
		SQ. PIPE PLASTIC CAP 32MM(SFM-100)		
		SQ. PIPE PLASTIC CAP 32MM(SFM-115)		
		SQ. PIPE PLASTIC CAP 32MM(SFM-130)		
		SQ. PIPE PLASTIC CAP 32MM(SFM-145)		
		SQ. PIPE PLASTIC CAP 32MM(SFM-160)		
		SQ. PIPE PLASTIC CAP 32MM(SFM-175)		
		SQ. PIPE PLASTIC CAP 32MM(SFM-205)		
		SQ. PIPE PLASTIC CAP 32MM(SFM-220)		
11	17970	PTO SHAFT GUARD SMALL (BMF)	1	
12	17969	PTO SHAFT GUARD MOUNT PLATE COMP (BMF)	1	

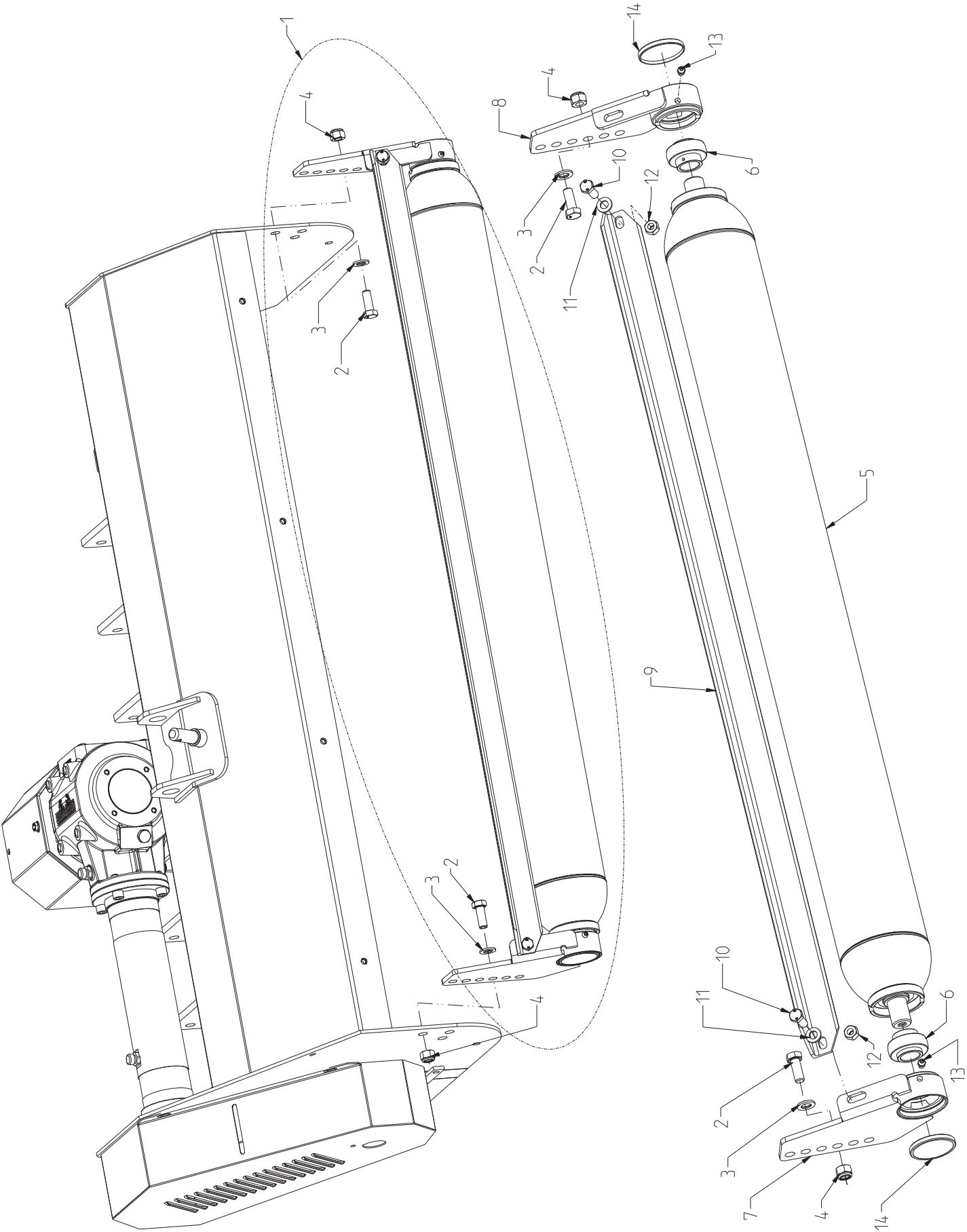
# KIT (REAR COVER STANDARD)





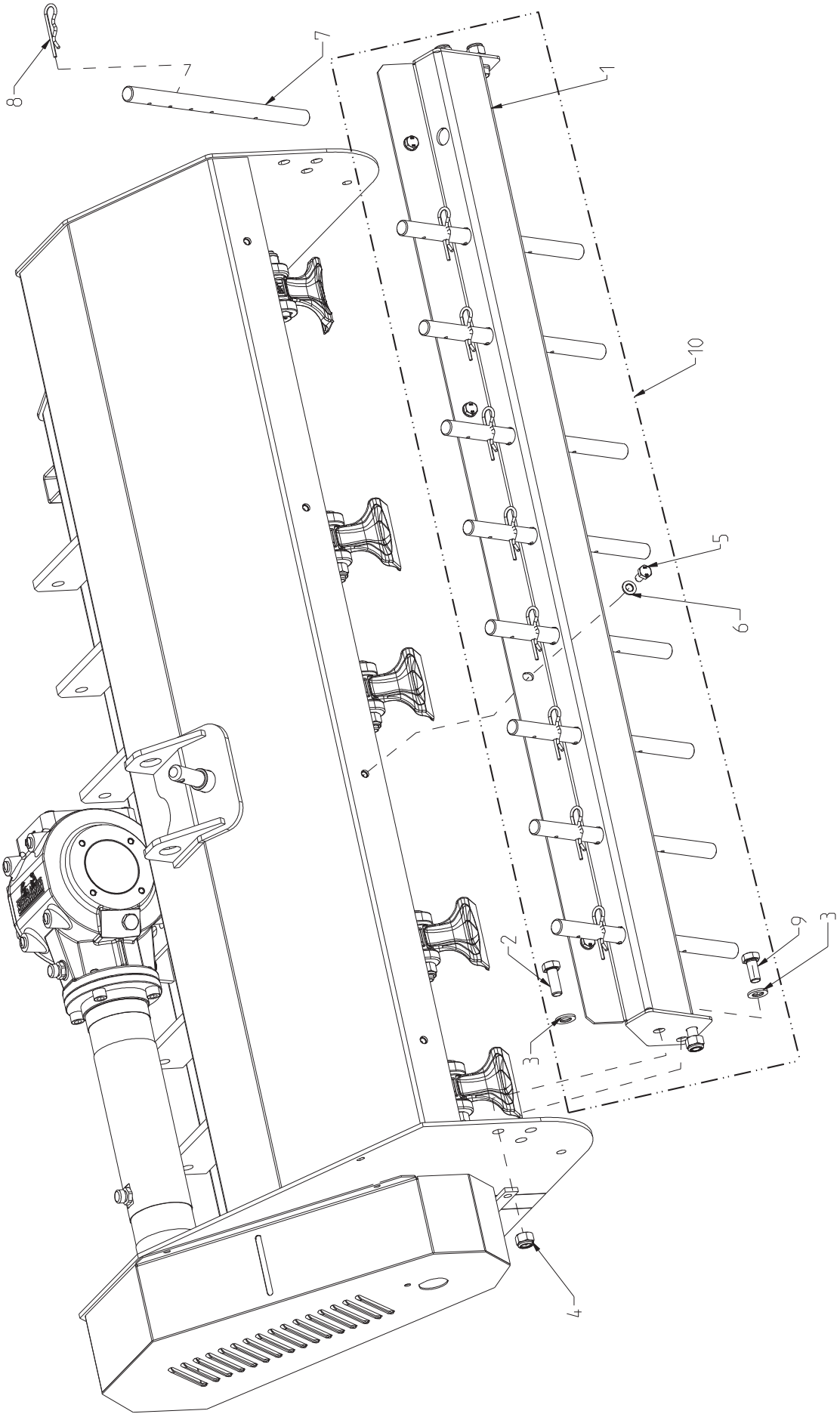
KIT - REAR COVER STANDARD			
Sr No.	Part no	Description	Qty.
1	17388	STANDARD REAR COVER WELDMENT, 85 (SFM)	1
	17345	STANDARD REAR COVER WELDMENT, 100 (SFM)	
	17344	STANDARD REAR COVER WELDMENT, 115 (SFM)	
	17343	STANDARD REAR COVER WELDMENT, 130 (SFM)	
	17199	STANDARD REAR COVER WELDMENT, 145 (SFM)	
	17200	STANDARD REAR COVER WELDMENT, 160 (SFM)	
	17201	STANDARD REAR COVER WELDMENT, 175 (SFM)	
	17202	STANDARD REAR COVER WELDMENT, 205 (SFM)	
	17203	STANDARD REAR COVER WELDMENT, 220 (SFM)	
2	17276	HEX BOLT M10X1.50X20(DIN933)(8.8)(ZP)	As per Req.
3	8078	PLAIN WASHER 10MM (BS-4320)	As per Req.
4	3339	HEX BOLT M14X1.50X45(DIN931)(8.8)(ZP)	As per Req.
5	1272	PLAIN WASHER 14MM (BS-4320)	As per Req.
6	1302	NYLOCK NUT M14X1.50 (DIN-982)	As per Req.
7	35033	HEX BOLT M14X1.50X35(DIN933)(8.8)(ZP)	As per Req.
8	17397	STANDARD REAR COVER ASSEMBLY, 85 (SFM)	1
	17380	STANDARD REAR COVER ASSEMBLY, 100(SFM)	
	17379	STANDARD REAR COVER ASSEMBLY, 115(SFM)	
	17378	STANDARD REAR COVER ASSEMBLY, 130(SFM)	
	17319	STANDARD REAR COVER ASSEMBLY, 145 (SFM)	
	17320	STANDARD REAR COVER ASSEMBLY, 160 (SFM)	
	17321	STANDARD REAR COVER ASSEMBLY, 175 (SFM)	
	17322	STANDARD REAR COVER ASSEMBLY, 205 (SFM)	
	17323	STANDARD REAR COVER ASSEMBLY, 220 (SFM)	

# KIT (REAR ROLLER)



KIT - REAR ROLLER			
Sr No.	Part no	Description	Qty.
1	17392	REAR ROLLER ASSEMBLY, 85 (SFM)	1
	17357	REAR ROLLER ASSEMBLY 100 (SFM)	
	17356	REAR ROLLER ASSEMBLY 115 (SFM)	
	17355	REAR ROLLER ASSEMBLY 130 (SFM)	
	17204	REAR ROLLER ASSEMBLY 145 (SFM)	
	17205	REAR ROLLER ASSEMBLY 160 (SFM)	
	17206	REAR ROLLER ASSEMBLY 175 (SFM)	
	17207	REAR ROLLER ASSEMBLY 205 (SFM)	
	17208	REAR ROLLER ASSEMBLY 220 (SFM)	
2	3339	HEX BOLT M14X1.50X45(DIN931)(8.8)(ZP)	As per Req.
3	1272	PLAIN WASHER 14MM (BS-4320)	As per Req.
4	1302	NYLOCK NUT M14X1.50 (DIN-982)	As per Req.
5	17391	REAR ROLLER WELDMENT, 85 (SFM)	1
	17354	REAR ROLLER WELDMENT, 100 (SFM)	
	17353	REAR ROLLER WELDMENT, 115 (SFM)	
	17352	REAR ROLLER WELDMENT, 130 (SFM)	
	17209	REAR ROLLER WELDMENT, 145 (SFM)	
	17210	REAR ROLLER WELDMENT, 160 (SFM)	
	17211	REAR ROLLER WELDMENT, 175 (SFM)	
	17212	REAR ROLLER WELDMENT, 205 (SFM)	
	17213	REAR ROLLER WELDMENT, 220 (SFM)	
6	17214	BEARING-UC 206MM	2
7	17215	ROLLER MOUNT WELDMENT, LH (SFM)	1
8	17216	ROLLER MOUNT WELDMENT, RH (SFM)	1
9	17390	SCRAPER, 85 (SFM)	1
	17351	SCRAPER, 100 (SFM)	
	17350	SCRAPER, 115 (SFM)	
	17349	SCRAPER, 130 (SFM)	
	17217	SCRAPER, 145 (SFM)	
	17218	SCRAPER, 160 (SFM)	
	17219	SCRAPER, 175 (SFM)	
	17220	SCRAPER, 205 (SFM)	
	17221	SCRAPER, 220 (SFM)	
10	17274	HEX BOLT M12X1.75X35(DIN933)(8.8)(ZP)	As per Req.
11	8126	PLAIN WASHER 12MM (BS-4320)	As per Req.
12	1209	NYLOCK NUT M12X1.75 (DIN-982)	As per Req.
13	20272	GREASE NIPPLE M10 X 1.50(STRAIGHT)	2
14	14119	OIL SEAL 72 x 8	2

# KIT (REAR COVER WITH RACKS)



**KIT - REAR COVER WITH RACKS**

Sr No.	Part no	Description	Qty.
1	17389	RACKS REAR COVER, WELDMENT, 85 (SFM)	1
	17348	RACKS REAR COVER, WELDMENT, 100 (SFM)	
	17347	RACKS REAR COVER, WELDMENT, 115 (SFM)	
	17346	RACKS REAR COVER, WELDMENT, 130 (SFM)	
	17222	RACKS REAR COVER, WELDMENT, 145 (SFM)	
	17223	RACKS REAR COVER, WELDMENT, 160 (SFM)	
	17224	RACKS REAR COVER, WELDMENT, 175 (SFM)	
	17225	RACKS REAR COVER, WELDMENT, 205 (SFM)	
	17226	RACKS REAR COVER, WELDMENT, 220 (SFM)	
2	3339	HEX BOLT M14X1.50X45(DIN931)(8.8)(ZP)	As per Req.
3	1272	PLAIN WASHER 14MM (BS-4320)	As per Req.
4	1302	NYLOCK NUT M14X1.50 (DIN-982)	As per Req.
5	17276	HEX BOLT M10X1.50X20(DIN933)(8.8)(ZP)	As per Req.
6	8078	PLAIN WASHER 10MM (BS-4320)	As per Req.
7	17227	RACK D22 L350 (SFM-085)	5
		RACK D22 L350 (SFM-100)	6
		RACK D22 L350 (SFM-115)	7
		RACK D22 L350 (SFM-130)	8
		RACK D22 L350 (SFM-145)	9
		RACK D22 L350 (SFM-160)	10
		RACK D22 L350 (SFM-175)	11
		RACK D22 L350 (SFM-205)	13
		RACK D22 L350 (SFM-220)	14
8	15055	R-CLIP WIRE DIA 4.00MM(SFM-085)	As per Req.
9	35033	HEX BOLT M14X1.50X35(DIN933)(8.8)(ZP)	As per Req.
10	17396	REAR COVER WITH RACKS ASS., 85 (SFM)	1
	17377	REAR COVER WITH RACKS ASS., 100 (SFM)	
	17376	REAR COVER WITH RACKS ASS., 115 (SFM)	
	17375	REAR COVER WITH RACKS ASS., 130 (SFM)	
	17304	REAR COVER WITH RACKS ASS., 145 (SFM)	
	17305	REAR COVER WITH RACKS ASS., 160 (SFM)	
	17306	REAR COVER WITH RACKS ASS., 175 (SFM)	
	17307	REAR COVER WITH RACKS ASS., 205 (SFM)	
	17308	REAR COVER WITH RACKS ASS., 220 (SFM)	



